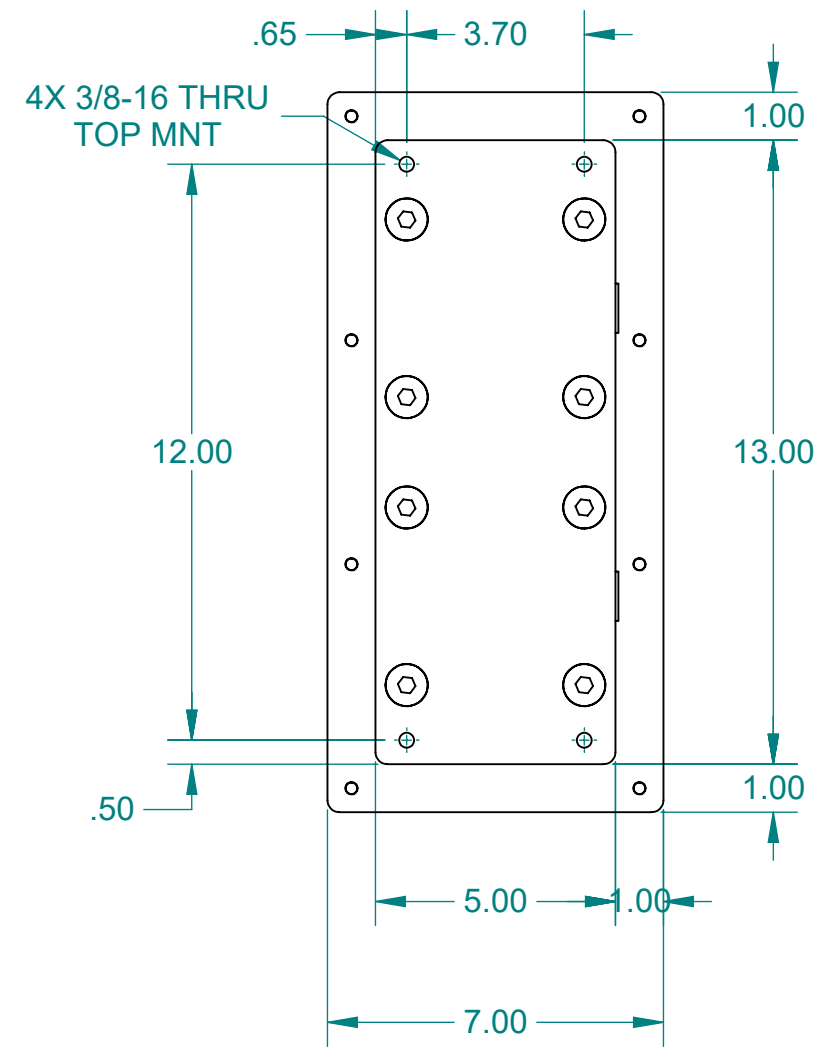
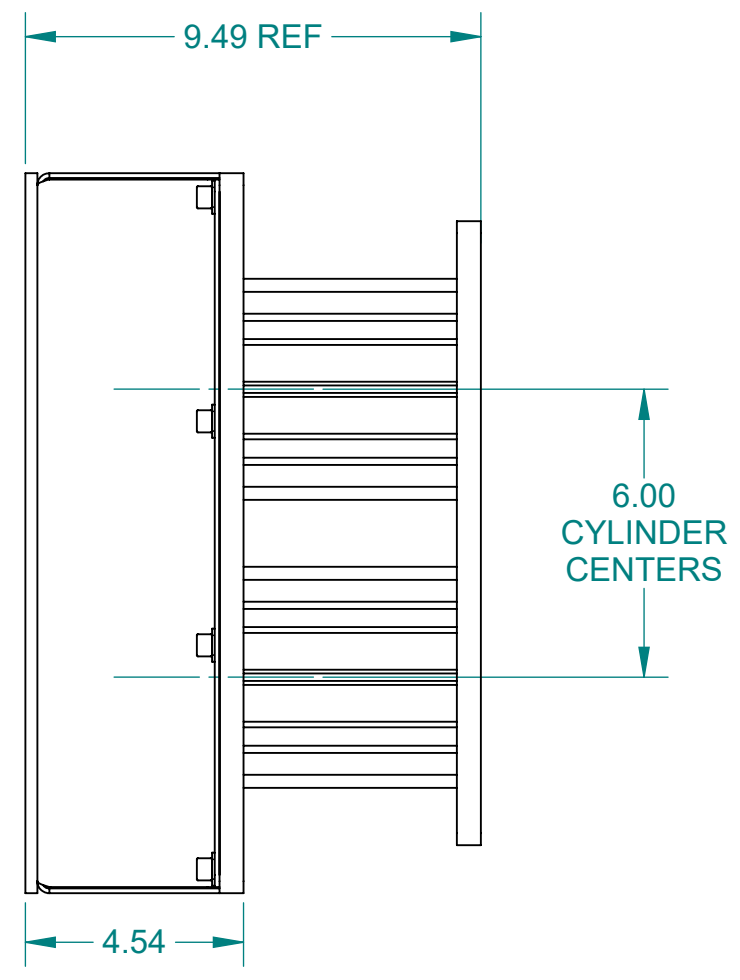
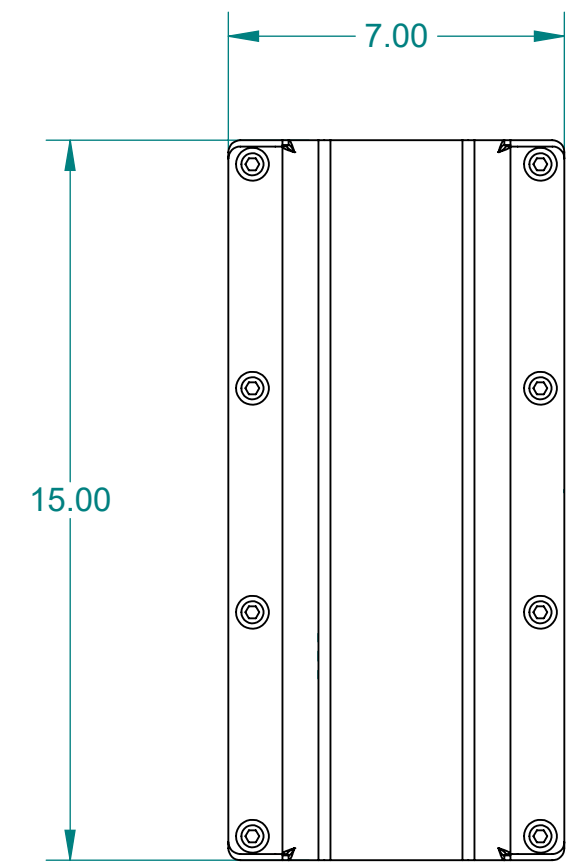
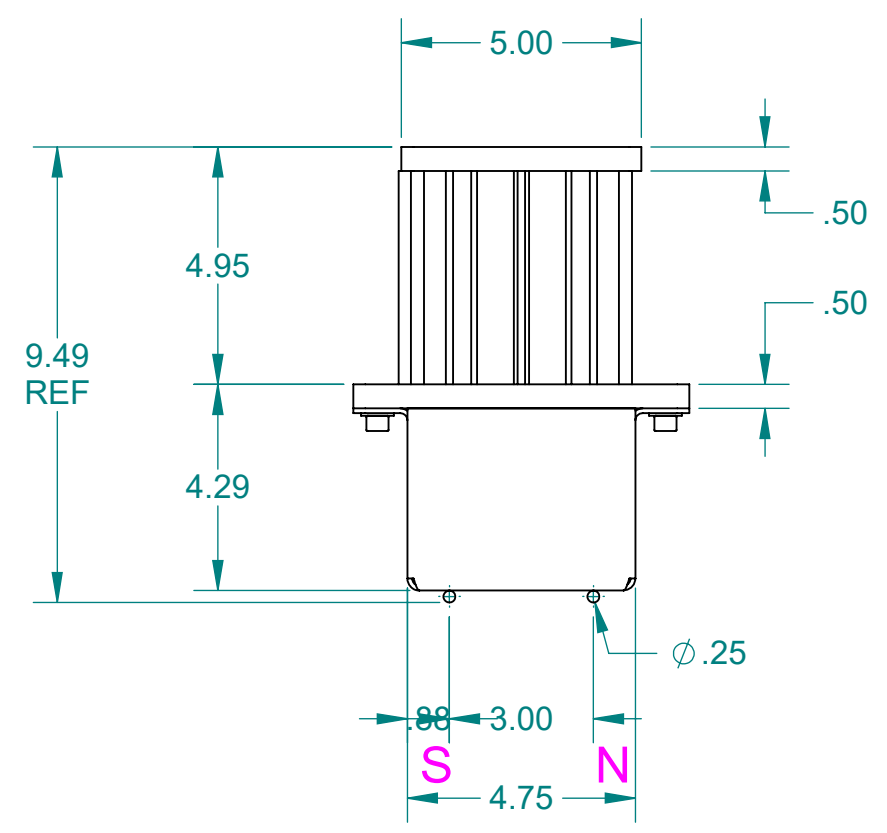


APPLICATION:

UNKNOWN. IMI CANNOT GUARANTEE RESULTS. THE STACK SHOULD BE 50MM SHORTER THAN THE FANNER.



PNEUMATIC CYLINDERS 3/8" PORTS
100MM BORE X 50MM STROKE
PLUMBED BY OTHERS, AIR SUPPLY
MUST BE CLEAN, DRY, COMPRESSED
AIR REGULATED TO 85 PSI. MIN.



180° MAX OPERATING TEMP
CUSTOMARY GRADE

APPROXIMATE WEIGHT: 59 LBS

ALL DIMENSIONS ARE IN INCHES EXCEPT AS NOTED. C SIZE - SHEET 1 OF 1

TOLERANCES EXCEPT AS NOTED DECIMAL .00" = ±.030" ANGULAR ±1° .000" = ±.015"		RELEASED DATE 10/7/2020	R & D SCALE SHOWN	DESCRIPTION PNEUMATIC SHEET FANNER X 15.00 LG RARE EARTH WITH 100MM CYL
DRAWN BY D.JOHNSON	RELEASED BY G.SMITH	DATE 4-27-11	PART NO. ARF15	DRAWING NO. 55487

