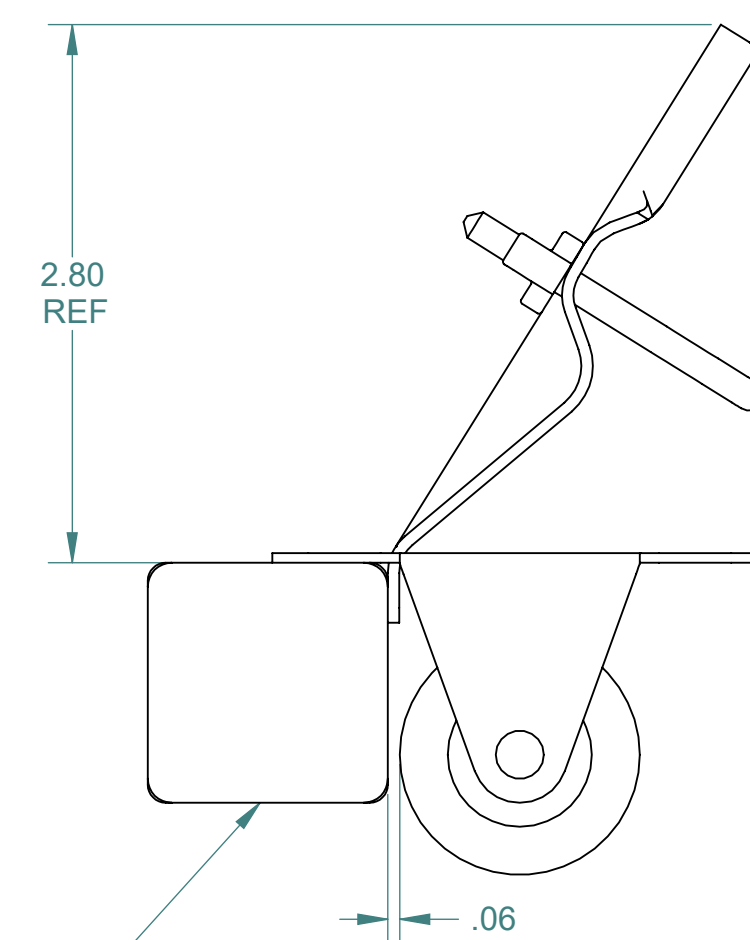
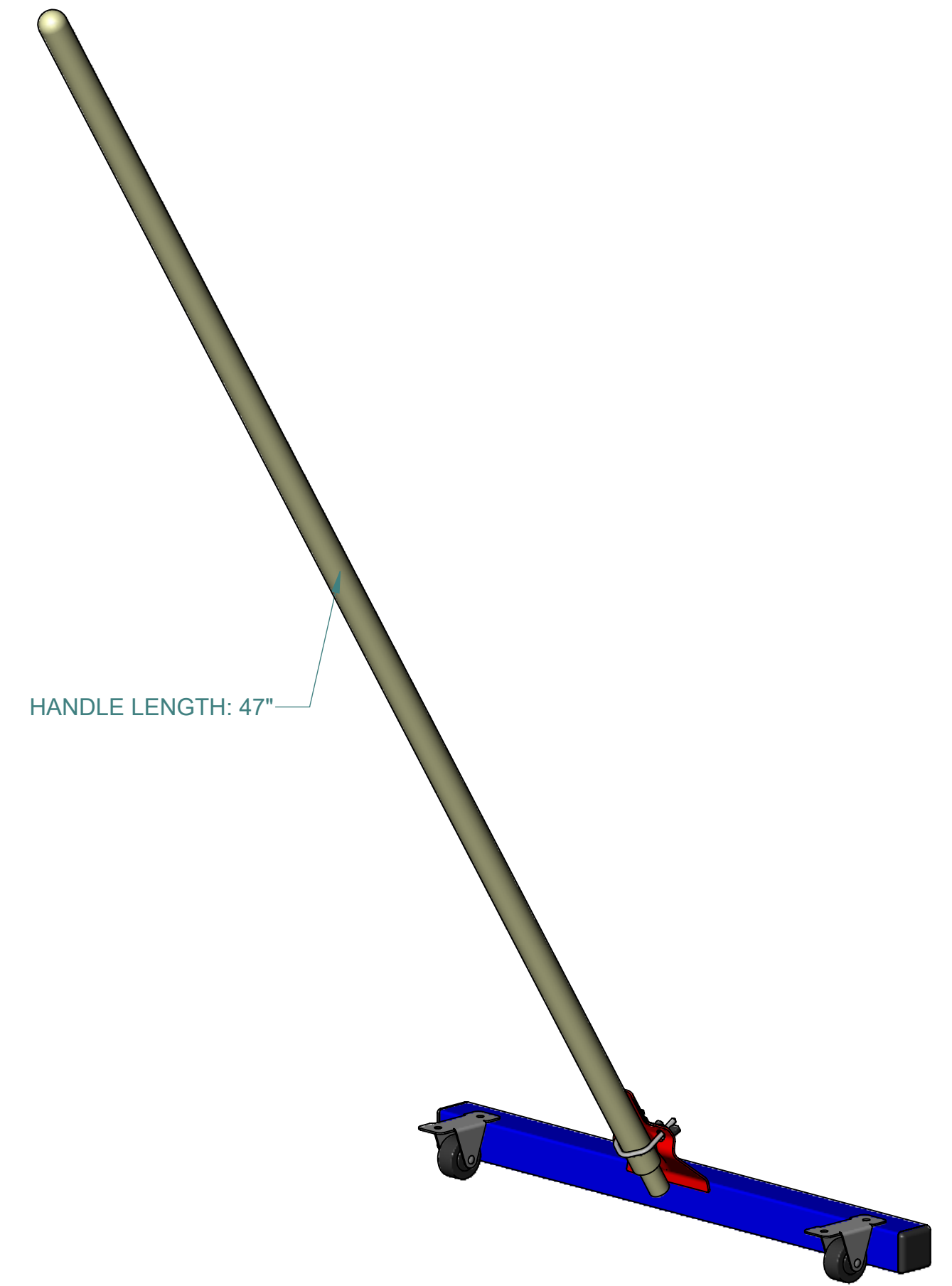


DETAIL OF SWEEPER ASSEMBLY
SCALE: FULL



MAGNETIC FACE



DETAIL OF SWEEPER ASSEMBLY
SCALE: 1:4

APPROXIMATE WEIGHT: 5 LBS

ALL DIMENSIONS ARE IN INCHES EXCEPT AS NOTED.				SHEET 1 OF 1	
<small>This drawing and all of the elements thereof, including the design and principles of construction disclosed, is the sole and exclusive property of Industrial Magnetics, Inc. and is being submitted by Industrial Magnetics, Inc. for the limited purpose of assisting the designated recipient to evaluate the services of Industrial Magnetics, Inc. This drawing may not be used for any other purpose, nor may it be copied, reproduced, loaned, transferred, or communicated to any other person, either verbally or in writing, without the written consent of Industrial Magnetics, Inc.</small>					
TOLERANCES EXCEPT AS NOTED DECIMAL .00" = ±.030" ANGULAR ±1° .000" = ±.015"		RELEASED DATE 8/20/2018	R & D SCALE FULL	DESCRIPTION SHOP SWEEPER X 18.00 LG	
DRAWN BY R.J. SIMON		RELEASED BY E. PASCOE	DATE 11-11-98	PART NO. SS1800	DRAWING NO. 21166

