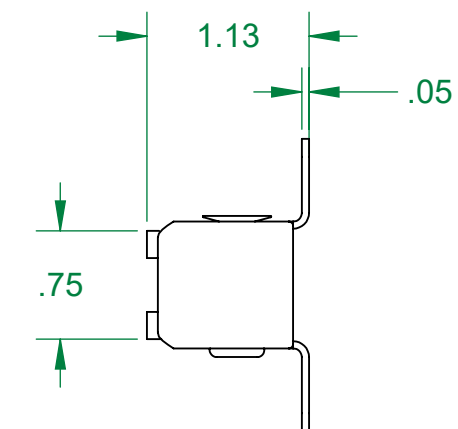



4X  $\phi$ .19 X 1.31 SLOT

6X  $\phi$ .19 THRU



ALL DIMENSIONS ARE IN INCHES EXCEPT AS NOTED.			C SIZE - SHEET 1 OF 1	
<small>This drawing and all of the elements thereof, including the design and principles of construction disclosed, is the sole and exclusive property of Industrial Magnetics, Inc. and is being submitted by Industrial Magnetics, Inc. for the limited purpose of assisting the designated recipient to evaluate the services of Industrial Magnetics, Inc. This drawing may not be used for any other purpose, nor may it be copied, reproduced, loaned, transferred, or communicated to any other person, either verbally or in writing, without the written consent of Industrial Magnetics, Inc.</small>			 <b>INDUSTRIAL MAGNETICS, INC</b> <small>01385 M-75 SOUTH BOYNE CITY, MICHIGAN 49712-9689 (231) 582-3100</small>	
TOLERANCES EXCEPT AS NOTED	RELEASED DATE	R & D	DESCRIPTION	
DECIMAL .00" = ±.030"	7/13/2018	SCALE FULL	TH1200 TOOL HOLDER	
ANGULAR ±1°	DRAWN BY S.ALLAN	DATE 2/27/2015	PART NO. TH1200	DRAWING NO. 22053
.000" = ±.015"	RELEASED BY E.PASCOE			