



**INDUSTRIAL
MAGNETICS.**

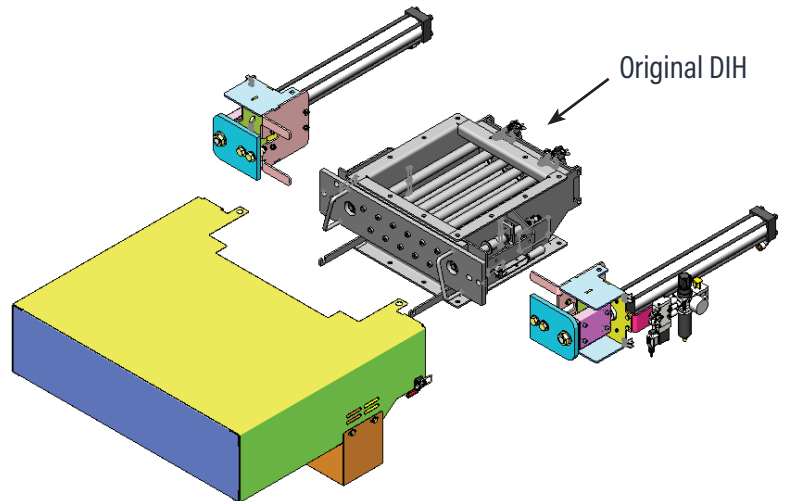
UPGRADE YOUR EZ-CLEAN DRAWER-IN-HOUSING

Take away the hassle and save time by automating the cleaning of your drawer-in-housing. Our new EZ to Self-Clean conversion kit bolts onto your existing unit, transforming the magnet into an actuated cleaning housing.

Ideal upgrade to remote magnet installation locations - applications requiring frequent cleaning and fully automated processing systems. The cleaning process is solenoid activated and can be controlled from a remote location with the flip of a switch. The cleaning cycle is completed in a matter of seconds. The air-actuated stripper seal assembly discharges collected tramp metal into a catch pan as the drawer opens.

Includes: Air cylinders, regulator, solenoid valve, metal guarding, tool-free removable catch pan

Housing Style	# of Drawers	Price
6" to 12"	1	\$5,200
	2	\$10,400
13" to 18"	1	\$6,350
	2	\$12,700
19" to 24"	1	\$9,250
	2	\$18,500



Please scan for
step-by-step
instruction

FEATURES:

- » Metal guards with lockouts and tool-free removal
- » Air Cylinder regulator, pneumatic solenoid valve
- » All cylinders include magnetic pistons
- » Drawer and/or Guard Lock-Out
- » Collection pan for metal
- » Stainless Steel guards
- » Tool Free Guard Removal
- » 80-100 psi minimum to operate

OPTIONS:

- » Custom sizes, funneled catch pans available
- » Sealed Cleaning Zones
- » Finish and welding treatments available for food and sanitary grade applications
- » Other Stainless Steel Grades available
- » Custom housing designs for magnet in hopper or angled chute installations
- » Individual cleaning drawers (adds to height)
- » Nema 9 solenoids

TOLL FREE **1.800.662.4638** imi@magnetics.com

Industrial Magnetics Inc. 1385 M-75 S, Boyne City, MI 49712 Office: 1.231.582.3100



magnetics.com