

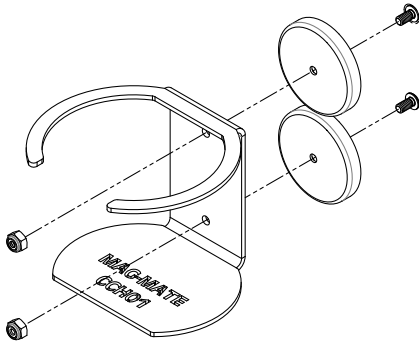
CAN/CUP HOLDER ASSEMBLY INSTRUCTIONS

900438 (04/22)



INDUSTRIAL MAGNETICS
MAG-MATE®

INDUSTRIAL MAGNETICS, INC. • 231.582.3100 • WWW.MAGNETICS.COM



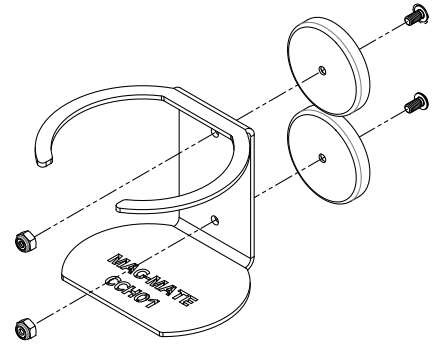
CAN/CUP HOLDER ASSEMBLY INSTRUCTIONS

900438 (04/22)



INDUSTRIAL MAGNETICS
MAG-MATE®

INDUSTRIAL MAGNETICS, INC. • 231.582.3100 • WWW.MAGNETICS.COM



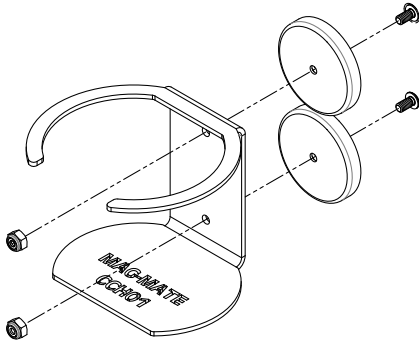
CAN/CUP HOLDER ASSEMBLY INSTRUCTIONS

900438 (04/22)



INDUSTRIAL MAGNETICS
MAG-MATE®

INDUSTRIAL MAGNETICS, INC. • 231.582.3100 • WWW.MAGNETICS.COM



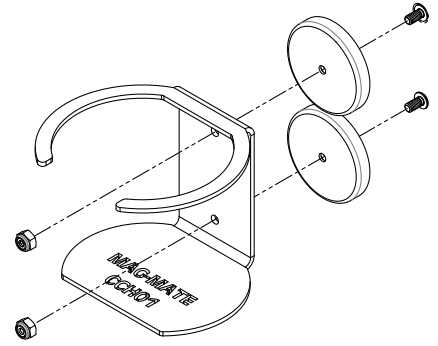
CAN/CUP HOLDER ASSEMBLY INSTRUCTIONS

900438 (04/22)



INDUSTRIAL MAGNETICS
MAG-MATE®

INDUSTRIAL MAGNETICS, INC. • 231.582.3100 • WWW.MAGNETICS.COM



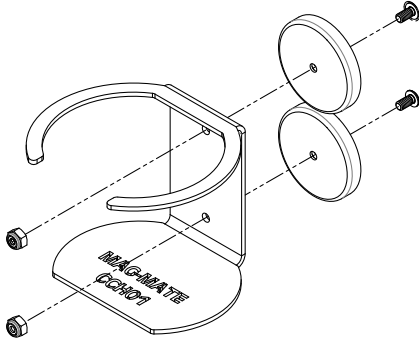
CAN/CUP HOLDER ASSEMBLY INSTRUCTIONS

900438 (04/22)



INDUSTRIAL MAGNETICS
MAG-MATE®

INDUSTRIAL MAGNETICS, INC. • 231.582.3100 • WWW.MAGNETICS.COM



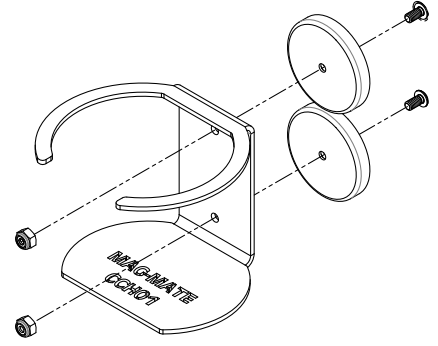
CAN/CUP HOLDER ASSEMBLY INSTRUCTIONS

900438 (04/22)



INDUSTRIAL MAGNETICS
MAG-MATE®

INDUSTRIAL MAGNETICS, INC. • 231.582.3100 • WWW.MAGNETICS.COM



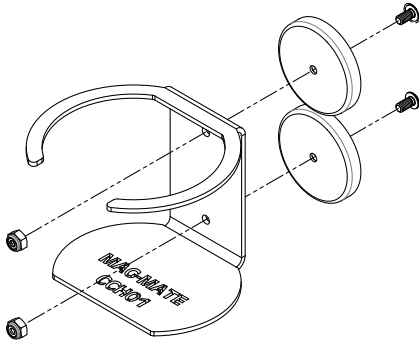
CAN/CUP HOLDER ASSEMBLY INSTRUCTIONS

900438 (04/22)



INDUSTRIAL MAGNETICS
MAG-MATE®

INDUSTRIAL MAGNETICS, INC. • 231.582.3100 • WWW.MAGNETICS.COM



CAN/CUP HOLDER ASSEMBLY INSTRUCTIONS

900438 (04/22)



INDUSTRIAL MAGNETICS
MAG-MATE®

INDUSTRIAL MAGNETICS, INC. • 231.582.3100 • WWW.MAGNETICS.COM

