

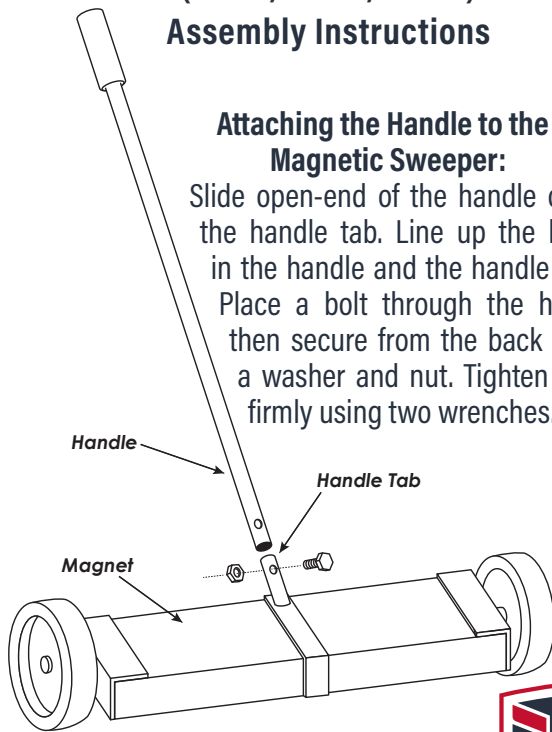
FLOOR SWEEPER

(FS1200, FS2400, FS3600)

Assembly Instructions

Attaching the Handle to the Magnetic Sweeper:

Slide open-end of the handle over the handle tab. Line up the hole in the handle and the handle tab. Place a bolt through the holes then secure from the back with a washer and nut. Tighten bolt firmly using two wrenches.



900467 (04/22)

MAG-MATE®

INDUSTRIAL MAGNETICS

INDUSTRIAL MAGNETICS, INC. • 231.582.3100 • WWW.MAGNETICS.COM

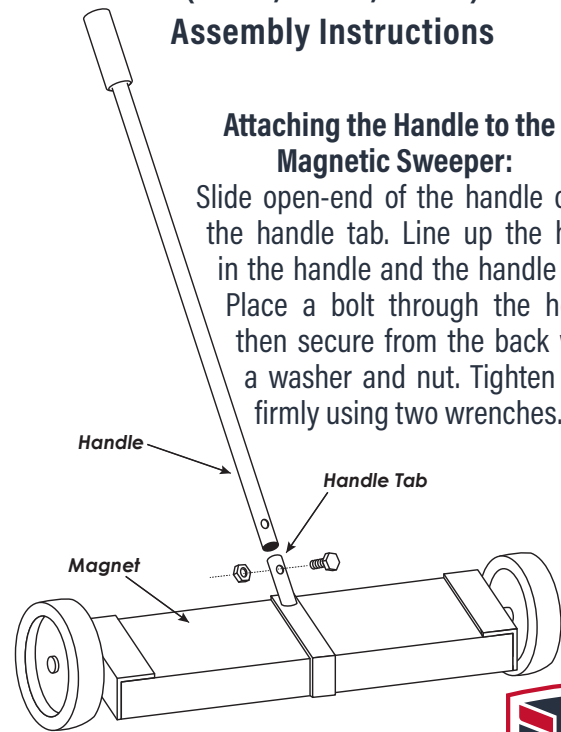
FLOOR SWEEPER

(FS1200, FS2400, FS3600)

Assembly Instructions

Attaching the Handle to the Magnetic Sweeper:

Slide open-end of the handle over the handle tab. Line up the hole in the handle and the handle tab. Place a bolt through the holes then secure from the back with a washer and nut. Tighten bolt firmly using two wrenches.



900467 (04/22)

MAG-MATE®

INDUSTRIAL MAGNETICS

INDUSTRIAL MAGNETICS, INC. • 231.582.3100 • WWW.MAGNETICS.COM

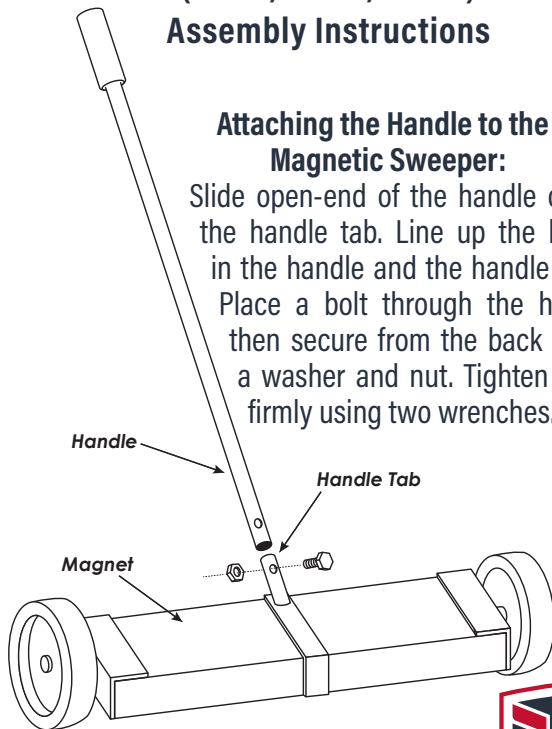
FLOOR SWEEPER

(FS1200, FS2400, FS3600)

Assembly Instructions

Attaching the Handle to the Magnetic Sweeper:

Slide open-end of the handle over the handle tab. Line up the hole in the handle and the handle tab. Place a bolt through the holes then secure from the back with a washer and nut. Tighten bolt firmly using two wrenches.



900467 (04/22)

MAG-MATE®

INDUSTRIAL MAGNETICS

INDUSTRIAL MAGNETICS, INC. • 231.582.3100 • WWW.MAGNETICS.COM

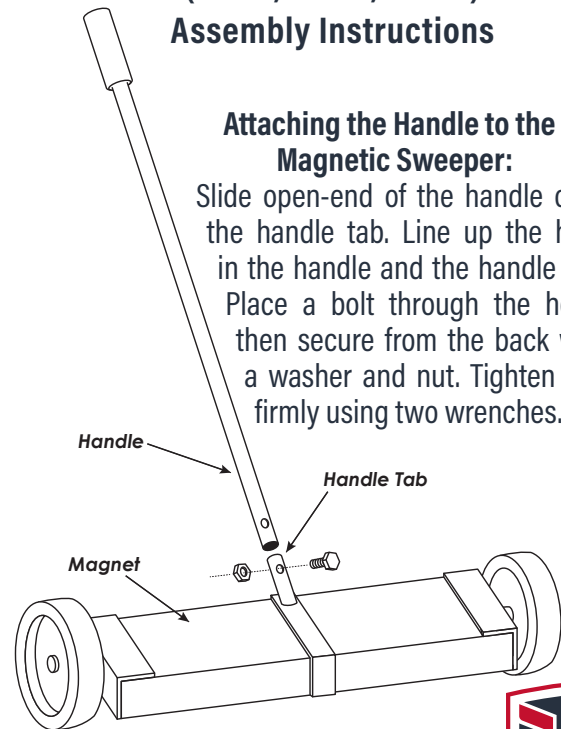
FLOOR SWEEPER

(FS1200, FS2400, FS3600)

Assembly Instructions

Attaching the Handle to the Magnetic Sweeper:

Slide open-end of the handle over the handle tab. Line up the hole in the handle and the handle tab. Place a bolt through the holes then secure from the back with a washer and nut. Tighten bolt firmly using two wrenches.



900467 (04/22)

MAG-MATE®

INDUSTRIAL MAGNETICS

INDUSTRIAL MAGNETICS, INC. • 231.582.3100 • WWW.MAGNETICS.COM