



COMPACT LID REMOVER OPERATIONS MANUAL

P.O. #:

Order #:

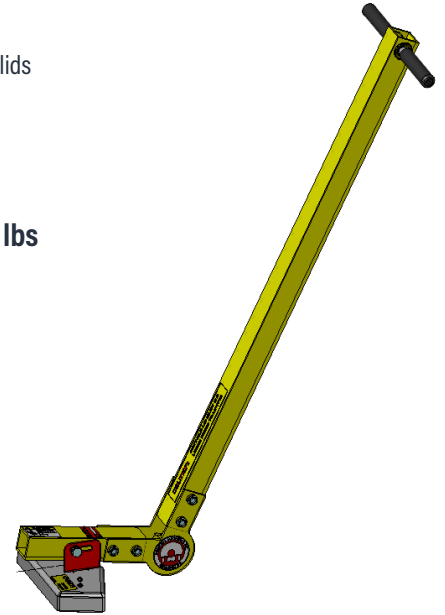
Part #:

OVERVIEW & OPERATING PRINCIPLE

This magnetic lid remover offers a lightweight and compact, one-piece design that is easy to use, store and transport. Harnessing the forces of magnetism and leverage, users can easily remove and replace manhole lids weighing up to 450 pounds.



Maximum capacity 450 lbs



HEALTH AND SAFETY WARNINGS



GENERAL



Please be advised that in and around the application of magnetic equipment, there are potential safety concerns that can arise with sensitive medical devices:



- » Pacemaker behavior can be affected when they are near strong magnetic fields
- » Medical implants and external fixation systems can be influenced by magnetic fields
- » Hearing aid behavior may be affected when exposed to strong magnetic fields

Any individual that carries the above equipment or other sensitive medical devices should use caution when they are around or handling magnets. For more specific information the wearer should contact their physician.



Beware of pinch points from sudden attraction and unexpected movement between magnets and ferrous metal equipment components or tools.



Beware of pinch points at the pivot and handle when adjusting Lid Remover positions.

Keep feet and other extremities out from beneath a lifted load.

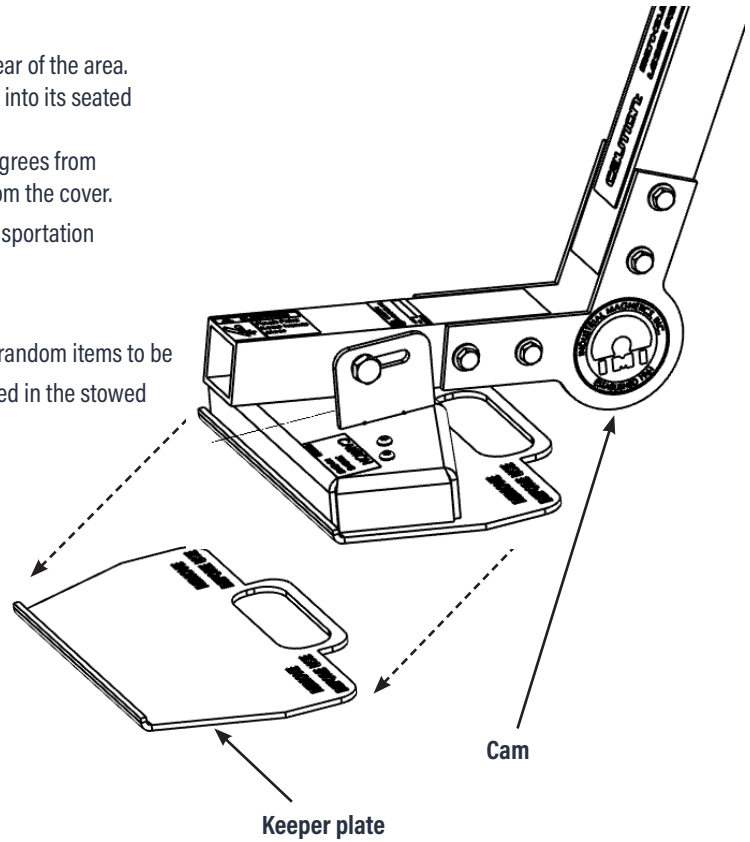


LIFT SETUP AND OPERATION

1. Remove the protective stainless steel keeper by simply stepping on the plate while moving the lift assembly.
2. Position the magnet over one edge of the manhole cover. Once the magnets are engaged to the manhole cover, be sure the cam is on a solid surface. Push down on the handle to 'lever' the cover up from the hole edge.
3. Slide the cover away from the manhole, set it on nearby pavement as a temporary location. The Lid Remover may remain attached to the cover for the duration of manhole access activity.
4. Prior to replacing the lid, be sure coworkers and other equipment are clear of the area.
5. Slide / drag the manhole cover into position over the hole and let it drop into its seated location.
6. Rotate the Lid Remover handle over the top of the manhole cover 180 degrees from operating position to utilize easy leverage to disconnect the magnets from the cover.
7. Attach the keeper plate to the magnet and stow the Lid Remover for transportation

NOTE

The stainless steel **keeper plate** is designed to reduce the potential for random items to be attracted to the magnets when not in use. It can be removed and replaced in the stowed position with minimal effort.



Engage magnets and pry the lid edge



Slide cover away from manhole



Replace cover



Release magnets



COMMENTS OR CONCERNS?

We believe Industrial Magnetics, Inc. offers the finest Manhole Lid Remover System available today. Great pride has gone into the design and manufacture of this unit. Any comments or concerns should be directed to our Customer Service Department at 1-888-582-0821.

We appreciate the opportunity to serve you!