



GRAVITY (IN-STREAM)

**ROTODRAWER™ -
ROTARY STYLE DRAWER-IN-HOUSING**

Optimum separation for difficult flowing products

Industrial Magnetics, Inc. has developed a rotary style Drawer-In-Housing Magnet to remove ferrous metal from powder & bulk processed products that have difficult flow characteristics and a tendency to bridge and choke when using traditional style magnetic separators.

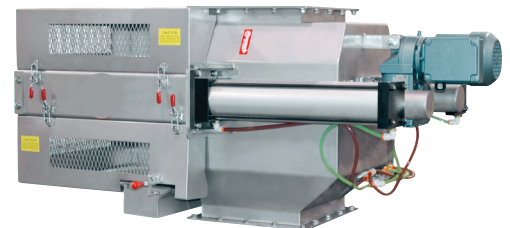
The RotoDrawer™ features a motorized, cylindrical configuration of Rare Earth magnetic tubes on a horizontal plane that continually rotate through a gravity fed product stream. The rotational design on the Self-Cleaning models serves to further break up any clumps of product and keep the flow moving through the housing while capturing any ferrous metal contamination.

The RotoDrawer™ is available in either a SimpleClean™ (MC) or Self-Cleaning (SC) design to simplify the removal of collected metal and prevent any metal wash-off back into the product stream. SimpleClean™ models feature an innovative and ergonomic design that facilitates routine cleaning of the magnet while preventing recontamination of the processing line. The magnetic drawer glides open on a fixed track and rotates into vertical orientation allowing the operator to easily remove and dispose of captured metal outside of the product flow. Self-Clean models use air cylinders to cycle the tubes through wiper seals that remove the collected metal into a receptacle outside of the product flow. Standard sizes range from 8"x8" to 18"x18" inlets and outlets, with custom designs and sizes available to fit your application.

RotoDrawer™



SimpleClean™



Self Cleaning

Examples of the
Drawer and the Rear
Access Lock-outs



FEATURES:

- » Powerful UHI-52™ (52 MGOe) Rare Earth Circuit for optimum reach-out & surface holding strength
- » 1" diameter tubes in a cylindrical pattern
- » Food Grade Silicone Gasket Material
- » T304 Stainless Steel housing and flanges
- » Drawer and/or Guard Lock-Out
- » Can be cleaned while motor is running (SimpleClean™)
- » Positive locking clamps for drawer (SimpleClean™)
- » Collection Pan for captured metal (Self-Clean)
- » Compression Spring Assisted Seal Plate (Self-Clean)
- » HYDEX Wiper Seals (Self-Clean)
- » Air Cylinders, Regulator & Solenoid Valve (Self-Clean)
- » All cylinders include magnetic pistons (Self-Clean)

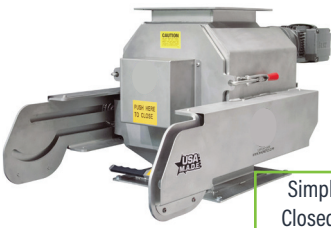
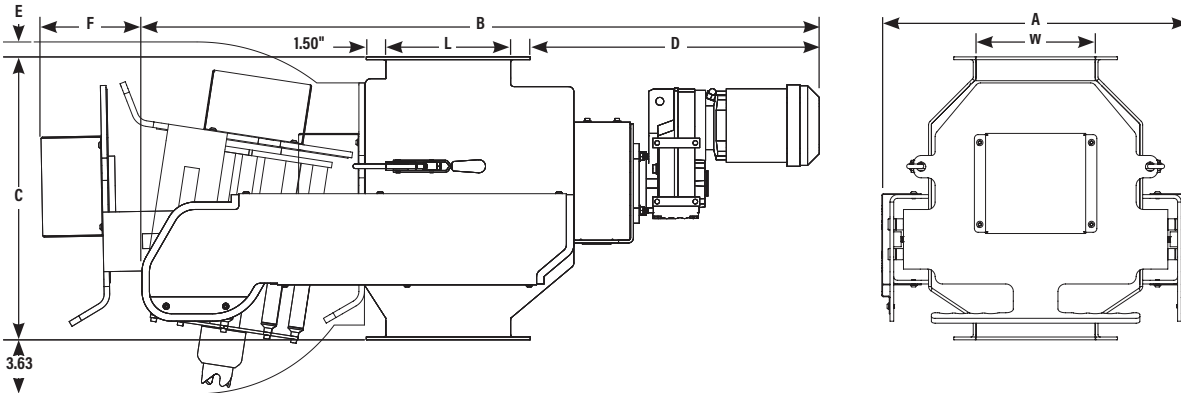
OPTIONS:

- » Custom sizes & transitions available
- » Capture Screen for Non-Ferrous Materials
- » Housing finish & welding surface treatments
- » Other Stainless Steel Grades available
- » Nedox® Coated Tubes - Protection from abrasive materials and is self-lubricating to help prevent build-up & galling
- » Push-button Controls (Self-Clean)
- » Special Motors & Drive Packages (Self-Clean)

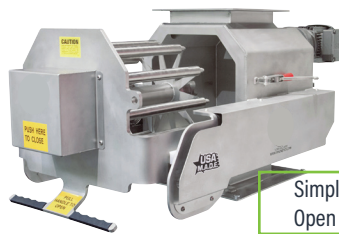
TOLL FREE 1.888.582.0821 imi@magnetics.com



RotoDrawer™ Simpleclean™ Dimensions And Specifications:



SimpleClean™
Closed Position



SimpleClean™
Open Position

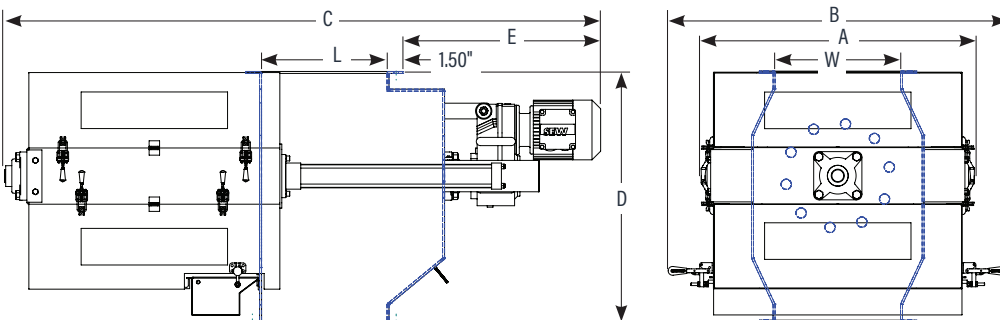


SimpleClean™
Cleaning Position

STANDARD MODEL	INLET I.D. (L X W)	A	B	C	D	DRAWER CLEARANCE E	F	TUBE QTY.	TUBE ARRAY DIAMETER	MOTOR HP
RDH0808R	8.00 x 8.00	20.75	45.50	19.00	19.50	1.00	7.25	10	10.00	0.50
RDH1010R	10.00 x 10.00	20.75	47.50	19.00	19.50	3.00	9.25	10	10.00	0.50
RDH1212R	12.00 x 12.00	20.75	49.50	19.00	19.50	5.00	11.25	10	10.00	0.50

Note: All dimensions are stated in inches

RotoDrawer™ Self-Clean (SC) Dimensions And Specifications:



STANDARD MODEL	INLET I.D. (L X W)	A	B	C	D	E	TUBE QTY.	TUBE ARRAY DIAMETER	MOTOR HP	CYLINDER BORE
RDH0808RSC	8.00 x 8.00	27.12	33.50	49.00	24.00	19.00	10	10.00	0.50	2.50
RDH1010RSC	10.00 x 10.00	27.12	33.50	53.00	24.00	19.00	10	10.00	0.50	2.50
RDH1212RSC	12.00 x 12.00	27.12	33.50	57.00	24.00	19.00	10	10.00	0.50	2.50
RDH1414RSC	14.00 x 14.00	34.00	39.50	63.00	30.00	21.00	16	16.00	1.00	3.25
RDH1616RSC	16.00 x 16.00	34.00	39.50	67.00	30.00	21.00	16	16.00	1.00	3.25
RDH1818RSC	18.00 x 18.00	34.00	39.50	71.00	30.00	21.00	16	16.00	1.00	3.25

Note: All dimensions are stated in inches

