



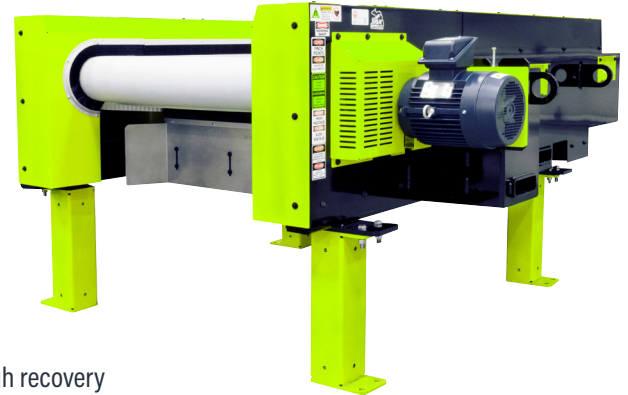
### CONVEYOR LINE MAGNETS

## EDDY CURRENT SEPARATORS

### Rare Earth Eddy Current Separating System for Separation of Non-Ferrous Metals

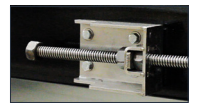
Our Javelin™ Eddy Current Separators are designed from the ground up to provide high recovery rates (97%+) and low operating costs. They are ideal for a range of applications, including: MRF (Material Recovery Facilities), C&D, Incineration, Auto shredding, Electronics Recycling and more. The units vary essentially in one area, the number of poles. While all of our units do a remarkable job on UBC (Beverage Can) recovery, the standard 8 pole unit was designed just for this job. The 12 and 16 pole units were initially designed for glass clean up, though they excel in any application where recovery of smaller particles is required.

The Throw Makes The Difference™ - Every Javelin™ ECS machine is built with the highest quality materials and to an unmatched quality standard. They have the strongest and deepest field in the industry, for a farther throw and a higher and cleaner UBC recovery rate. The Javelin ECS is in use at major MRFs around the world with excellent results. Though we talk of 97% recovery most of our units have to pass more stringent compliance tests. No matter what your volume the Javelin Eddy Current Separator will add to your bottom line.



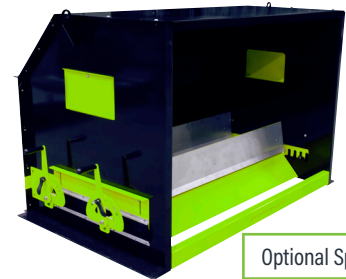
Unit with Optional Splitter Box Attached

Take up screw adjustment for easy belt tensioning and tracking



### FEATURES:

- » Eccentric Set Rotor for Maximum Strength (Highest Gauss In The Industry)
- » High grade Rare Earth magnets
- » Stainless steel sleeve on all rotors
- » Removable Service Panels for Easy Maintenance
- » Variable speed motor for rotor and belt
- » Carbon fiber shell minimizes ferrous burnout
- » Internal motorized drive drum for more compact design
- » Low profile design (easy retrofit)
- » Take up screw adjustment for easy belt tensioning and tracking
- » Heavy-duty construction
- » Lifting eyes for easy installation
- » Durable Powder Coated Frame (Available in custom RAL colors)
- » Urethane belt with corrugated sidewalls
- » Durable Brushes and Guards to Prevent Material Migration
- » Cantilever design for one piece belt change
- » +/- 1% of out throws in your clean aluminum



Optional Splitter Box

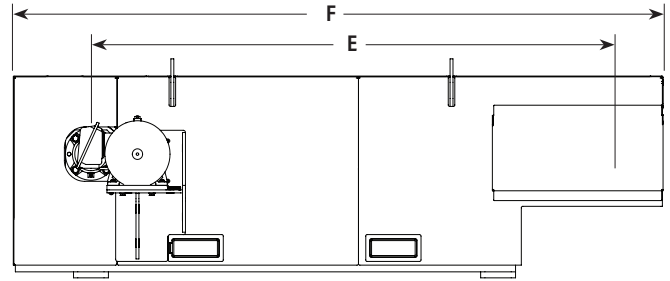
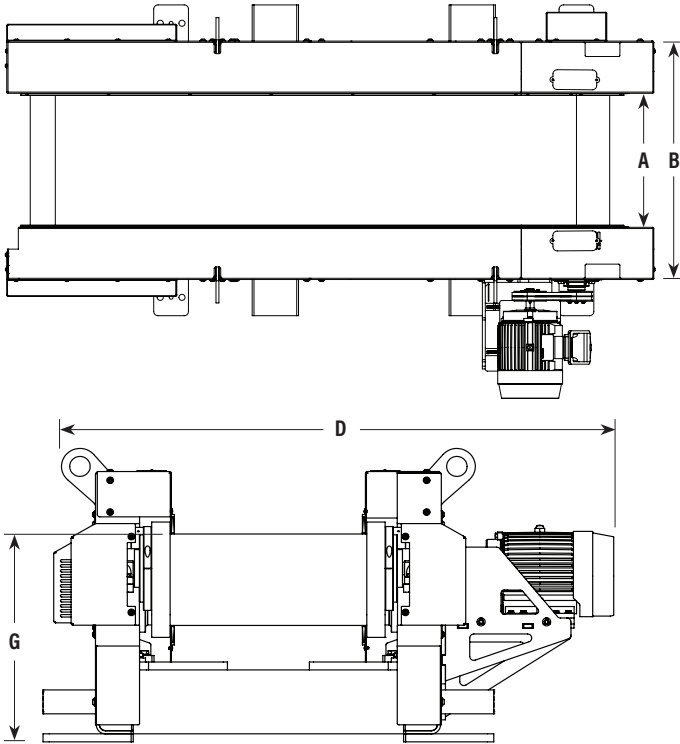
### OPTIONS:

- » Splitter hood with adjustable side closures and an adjustable divider vane - single or dual vane
- » Alternate paint schemes
- » Control packages

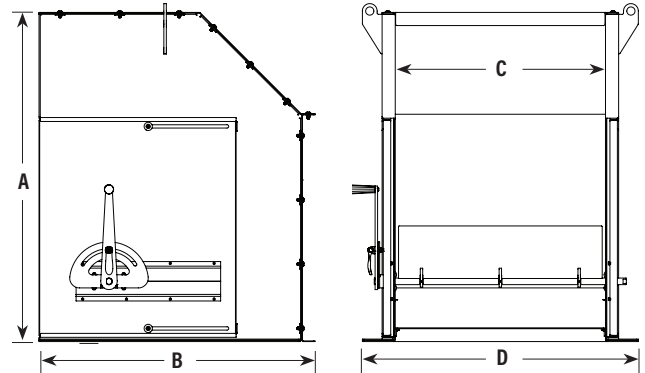
TOLL FREE 1.888.582.0821 [imi@magnetics.com](mailto:imi@magnetics.com)



**ECS Dimensions**



**Splitter Box Dimension**



**Eddy Current Separators Standard Specifications:**

MODEL	A	B	C	D	E	F	G	F WITH			SPLITTER BOX			
								SPLITTER BOX	ROTOR HP	BELT HP	A	B	C	D
<b>8 Pole Units (Ideal for MRF applications or 2" +)</b>														
ECS240890	24	30.00	33.88	67.38	90	111.75	26.03	153.75	7.5	5.5	50.10	42	32	42
ECS300890	30	48.25	33.88	73.38	90	111.75	26.03	153.75	10	5.5	50.10	42	38	48
ECS360890	36	54.25	33.88	79.38	90	111.75	26.03	153.75	10	5.5	50.10	42	44	54
ECS480890	48	66.25	33.88	91.38	90	111.75	26.03	153.75	10	5.5	50.10	42	56	66
ECS600890	60	78.25	33.88	103.38	90	111.75	26.03	153.75	10	5.5	50.10	42	68	78
ECS720890	72	90.25	33.88	115.38	90	111.75	26.03	153.75	10	5.5	50.10	42	80	90
<b>16 Pole Units (Designed for particle size 2" -)</b>														
ECS241690	24	30.00	33.88	67.38	90	111.75	26.03	153.75	7.5	5.5	50.10	42	32	42
ECS301690	30	48.25	33.88	73.38	90	111.75	26.03	153.75	10	5.5	50.10	42	38	48
ECS361690	36	54.25	33.88	79.38	90	111.75	26.03	153.75	10	5.5	50.10	42	44	54
ECS481690	48	66.25	33.88	91.38	90	111.75	26.03	153.75	15	5.5	50.10	42	56	66
ECS601690	60	78.25	33.88	103.38	90	111.75	26.03	153.75	15	5.5	50.10	42	68	78
ECS721690	72	90.25	33.88	115.38	90	111.75	26.03	153.75	15	5.5	50.10	42	80	90

**Notes:** All dimensions are stated in inches. Units available up to 144" long belt length. Minimum of 15" Top of Belt to Ground. (Variable, 25.375" STD)